



**Grind & Brew Plus
DGB900BCU**

Cuisinart®

Important Safeguards

When using electrical appliances, basic safety precautions should always be followed, including the following:

1. The appliance is not intended to be operated by means of external timer or separate remote-control system.
2. This appliance is not intended for use by persons with reduced physical, sensory or mental capabilities, or lack of experience and knowledge, unless they have been given supervision or instruction concerning use of the appliance by a person responsible for their safety.
3. Children should always be supervised to ensure that they do not play with this product.
4. Not for use by children. Keep out of reach of children during and after use.
5. Always inspect the appliance before use for noticeable signs of damage. Do not use if damaged, or if the appliance has been dropped. Do not use this appliance if the lead is damaged. In the event of damage, or if the appliance develops a fault, contact the Cuisinart Customer Care Line (refer to "UK After Sales Service" section for further information).

Congratulations on your purchase of the Cuisinart Grind & Brew Plus.

For over 30 years Cuisinart's aim has been to produce the very finest kitchen equipment. All Cuisinart products are engineered for exceptionally long life, and designed to be easy to use as well as to give excellent performance day after day.

To learn more about our products visit our website
www.cuisinart.co.uk

CONTENTS

Product Description	5
Safety Cautions	6
Instructions for Use	9
A Control Panel	9
B Setting the Clock	10
C Setting the Programme Time	10
D Inserting the Charcoal Water Filter	11
E Preparing to Brew	12
Adding Water & Coffee	12
Using Coffee Beans	12
Removing and Replacing the Bean Hopper	13
Using Pre-ground beans	13
Preparing the Carafe	14
F Brewing Coffee	14
Immediate Brewing	14
Programmed Brewing	15
Brewed Coffee	15
Cleaning & Maintenance	16
Descaling	18
Troubleshooting	19
UK Guarantee & After Sales Service	21
Wiring Instructions	22


Product Description



Safety Cautions

Carefully read all the instructions before using the appliance and keep in a safe place for future reference.

Always follow these safety cautions when using this appliance to avoid personal injury or damage to the appliance. This appliance should be used only as described within this instruction book.

- Always inspect the appliance before use for noticeable signs of damage. Do not use if damaged, or if the appliance has been dropped. In the event of damage, remove the plug from the mains then contact the Cuisinart Customer Care Line (see "UK After Sales Service" section).
- Do not use this appliance if the lead is damaged. In the event of a damaged lead discontinue use immediately. Contact the Cuisinart Customer Care Line (see "UK After Sales Service").
- Unplug from the mains when not in use and before cleaning. Allow to cool before cleaning the appliance. To disconnect, press the 'On/Off' button, and then remove the plug from the mains. Never pull the plug out of the mains socket by its lead.
- This appliance should not be used by adults or children whose lack of experience, product knowledge or disability might cause a hazard, unless they have been correctly instructed and are adequately supervised.
- Children should always be supervised to ensure that they do not play with this product.
- Not for use by children. Keep out of reach of children during and after use. 
- Do not use any accessory or attachments with this appliance other than those recommended by Cuisinart.
- No repair should be carried out by the user. In case of fault, contact the Cuisinart Helpline, (See "UK After Sales Service" section).
- Do not place the appliance on or near a hot gas or electric burner or in a heated oven.
- To protect against fire, electric shock or personal injury, do not immerse the cord, plug or housing unit in water or other liquids. Do not put the unit in a dishwasher.

- Do not leave the lead hanging over the edge of a kitchen table or worktop. Avoid contact between the lead and hot surfaces.
- For indoor use only.
- For domestic use only.
- Do not exceed the maximum capacity of this appliance. (See page 12)
- This appliance should be used only for grinding coffee beans and brewing coffee as described within the Instructions for Use. Please retain these instructions for further use.
- Always ensure that your hands are dry before removing the plug from the mains socket.
- This product complies fully with all appropriate EU and UK legislation and the standards relevant to this type and class of appliance. We are an ISO9001:2015 accredited company that continually evaluates our Quality Management System performance. If you have any queries regarding product safety and compliance, please contact our Customer Services Department (see "U.K. After Sales Service" section).

Safety During Use

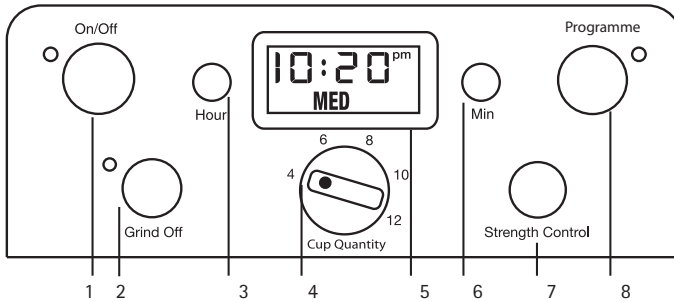
- Do not touch hot surfaces. Use handles and knobs.
- Always fill water reservoir first, then plug into a suitable power outlet. To disconnect, push the 'On/Off' button to switch off the appliance, then remove the plug from the wall outlet.
- Ensure the lid is securely attached to the carafe before serving any beverages.
- Liquids will reach to approximately 90°C. Be careful when pouring beverages.
- The thermal carafe is designed for use with this appliance only.
- Do not use the carafe if cracked or if the handle is loose.
- Do not clean the carafe or resting plate with cleansers, steel wool pads, or other abrasive materials.
- Avoid contact with moving parts.
- Check grinder basket before use for presence of foreign objects.
- Use the coffee grinder to grind roasted coffee beans only. Do not use to grind other substances, e.g nuts, spices or un-roasted beans as this may damage the plates or cause injury.
- Do not place a cloth or otherwise restrict airflow beneath the coffee maker.
- Use only the Cuisinart Gold Tone® Commercial Style Filter with this unit. These are available to purchase by contacting the Cuisinart Helpline (see UK After Sales Service section). Other Gold Tone® permanent filters or normal paper filters may cause the unit to overflow.
- Do not place the hot carafe on a cold or wet surface.

WARNING: Scalding may occur if the lid is removed during the brewing cycle.

WARNING: Polythene bags over the product or packaging may be dangerous. To avoid danger of suffocation, keep away from babies and children. These bags are not toys.

Instructions for Use

A Control Panel



1. On/Off button with LED Indicator

Featuring an audible tone which beeps 5 times after the coffee has finished brewing.

2. Grind Off Button with LED Indicator

Use to turn off the grinder when using pre-ground coffee.

3 & 6. Hour and Minute Buttons

Press and hold either Hour or Min button for approximately 2 seconds to start Time Set Mode.

4. Cup Quantity Knob

Turn the Cup Quantity to choose the desired amount of coffee beans to grind (up to 12 cups). **N.B** This does not control the amount of water. Please ensure you fill the water reservoir to the cup quantity required using the water level indicator located on the side of the appliance.

5. Clock/LCD Display

Displays time of day (and programme setting when Programme button is pressed). Displays Strength Control setting (MILD, MED or STRONG)

7. Strength Control Button

Press to select the required coffee strength: (MILD, MED or STRONG). Selected coffee strength will show on the Clock Display.

8. Programme Button with LED Indicator

Press to display or set programme time.

B Setting the Clock

- When the unit is plugged in, the screen will show 12:00AM.
- Press and hold either the 'Hour' or the 'Min' button until the numbers start to flash.
- Then press the 'Hour' and 'Min' buttons to scroll through the numbers. When the numbers stop flashing, the time has been set.

N.B. When you go past the number 12, the letters 'PM' will appear to adjust the time from 12 noon to midnight. When 'PM' is not shown, the time indicated corresponds to the AM hours, from 12 midnight to 12 noon. Always make sure that the time is set according to the correct period so that the programming is correct.

N.B. The "Programme" mode cannot be entered if the machine is in a "brew" cycle.

C Setting the Programme Time

- Press and hold the 'Programme' button until the green indicator lights and LCD display begin to flash, this signals that you have entered the "Set Programme Time" mode.
- The desired time can be set by pressing the 'Hour' and 'Min' buttons to scroll forward through the digits. The buttons can be held down to scroll through the digits or pressed and released lightly to advance one digit at a time. Once the time has been selected, press the 'Programme' button twice so the green indicator light is illuminated. Brewing will begin at the programmed time.

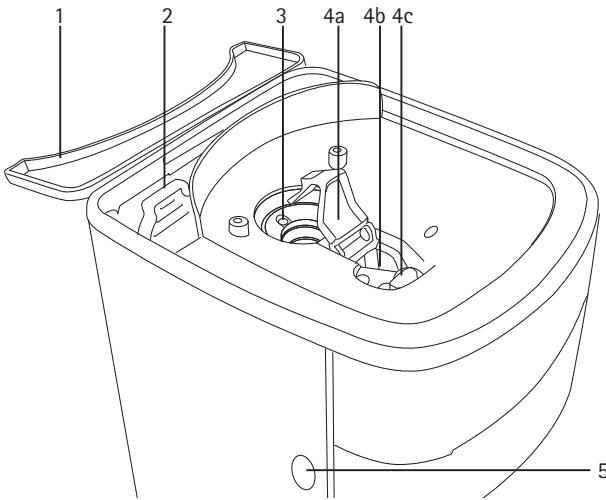
N.B. The 'Programme' mode cannot be entered if the Grind Et Brew Plus is in a 'brew' cycle.

N.B. When setting the programme time, ensure coffee and water are placed in the machine before the automatic start (see "Preparing to Brew")

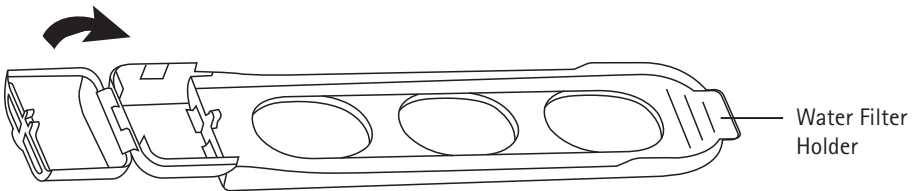
D Inserting the Charcoal water filter

Your appliance comes with two charcoal water filters that eliminate chlorine, bad tastes and odours from tap water. It is recommended that you change your water filter every 90 days or after 90 uses and more often if you have hard water. Replacement filters can be purchased directly from the manufacturer, (see "UK After Sales Service" section).

- Remove the filter from its packaging and soak in cold tap water for 15 minutes.



1. Water Reservoir Cover
2. Water Filter Holder
3. Burr Grinder
4. Coffee Channel Assembly
 - a. Channel Cover (must be in place before grinding)
 - b. Coffee Chute
 - c. Grind Chute Lever
5. Filter basket door release button



- To remove the water filter holder, simply lift it out from its opening on the inner wall of the reservoir. This can be accessed by lifting the water reservoir lid.
- Hold stem in one hand. With your other hand, gently press the compartment door down and pull outwards to flip open.
- Place the filter in the holder and close the compartment cover; you will hear a snap indicating filter is in place.

N.B. Caution must be used when inserting the charcoal filter. Improper placement in the holder can cause tearing of the filter skin.

- Hold the filter under cold running tap water for 10 seconds to flush. Hold the water filter holder vertically, directly under the water stream so that the water flows through the filter compartment.
- Allow the filter to drain completely.
- Replace the water filter holder into its opening on the inner wall of the reservoir, pushing it all the way down to the base of the unit.

E Preparing to Brew

Before making coffee for the first time, we recommend operating the appliance once using only water to remove any dust or residue that may remain in the system from the manufacturing process. Ensure the burr grinder is operated without beans for first use.

Adding Water

- Open the water reservoir lid at the back of the appliance. Pour the desired amount of water into the reservoir using the water level indicator. Close the reservoir lid ensuring not to exceed the 12 cup line as this may cause the carafe to overflow.

N.B. Do not exceed the 12 cup line. Doing so could cause the carafe to overflow.

N.B. Be careful to add only the amount of water for the number of cups you wish to brew. The machine will use all of the water added regardless of the amount of coffee used.

Adding Coffee

There are 2 ways to add coffee when using this machine. You can use fresh coffee beans and allow the machine to grind the beans before brewing the coffee, or you can simply use pre ground coffee beans.

Using Coffee Beans

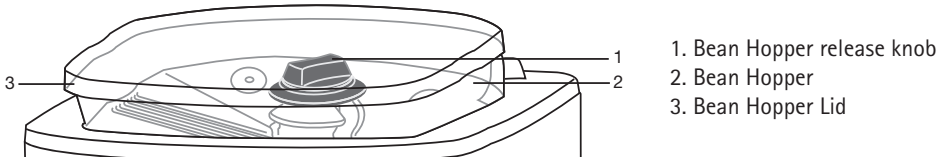
- Lift the bean hopper lid and fill with the desired quantity of beans. We recommend keeping the bean hopper at least half full and ensuring there is a sufficient amount of beans in the hopper for the amount of coffee that is intended for brewing.

WARNING! The maximum capacity of the hopper is 225g. Do not over fill or you may damage the burr grinder and/or the unit may overflow.

N.B. Be careful to add only the amount of water for the number of cups you wish to brew. The machine will use all of the water added regardless of the amount of coffee used.

Removing and Replacing the Bean Hopper

- The hopper can be completely removed by lifting the hopper lid and turning the hopper release knob to the unlock position (see picture below). This is ideal for filling and cleaning.



WARNING! Take care not to spill water into the grinding chamber while the hopper and lid are not in place. In the event that some water spills in to the chamber, dry thoroughly before use.

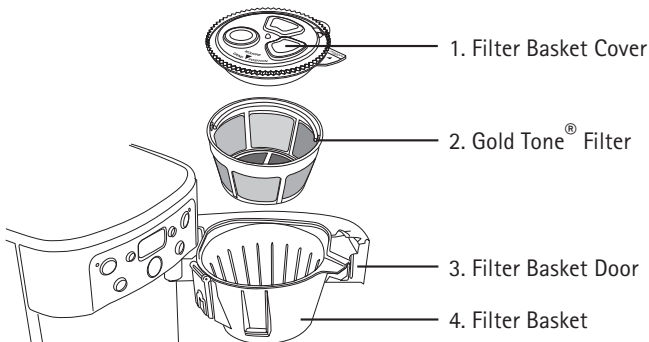
- To replace the hopper, place in position and turn the hopper release button to the lock position. Replace the hopper lid.
- **N.B.** if the hopper lid is not locked in place, the appliance will not operate. If you try and turn the unit on whilst the hopper is not locked in place, the appliance will beep continuously

Using pre-ground beans

- You can use pre-ground beans with this appliance. With the scoop provided we recommend using 1 level scoop of ground coffee per cup. The maximum capacity for ground coffee is 16 cups. Exceeding this may cause the appliance to overflow.

N.B. Be careful to add only the amount of coffee for the number of cups you wish to brew. The machine will use all of the coffee regardless of the amount of water used.

- To add coffee, press the filter compartment release button which can be found on the left side of the housing.



- Remove the filter basket cover
- Scoop the desired amount of coffee into the Gold Tone® filter. Ensure the handle of the gold tone filter is facing away from the main body of the appliance. If the handle is not facing away, it may interfere with the flow of ground coffee into the filter basket.
- Replace the filter basket cover ensuring that the 'GRIND' arrow is matching the 'LIFT' arrow and then close the filter compartment door. The door will click when closed properly.

N.B. If the filter basket cover is not in place or the filter door is not properly closed a safety interlock system will prevent operation. If you try and turn the unit on when parts are not in place, the unit will beep continuously until the missing parts are installed and the filter door is closed.

Preparing the Carafe

- Remove the lid of the thermal carafe by turning in the direction of the 'unlock' arrow.
- N.B.** For best results, pre warm the carafe by rinsing it out with hot water. This will help to keep the coffee hotter for longer
- Replace the carafe lid. To lock, align the arrows on the lid and the carafe body and turn in a clockwise direction until the lid fits tightly onto the carafe and the arrow is lined up in the centre of the spout. This ensure the lid is locked into place and in the correct position for brewing and pouring.
 - Replace the thermal carafe in its position on the resting plate.

F Brewing Coffee

Now the machine is ready to use. Ensure the machine is plugged into the mains.

Immediate Brewing

- Turn the 'Cup Quantity' knob to set the number of cups you want to brew, this will grind enough coffee beans to suit your requirement
- Press the 'Strength Control' button to set the strength (MILD, MED, or STRONG) this will show on the LCD display.
- Press the 'Grind Off' button if you are intending to use pre-ground coffee beans.
- To start the brewing and/or grinding process, press the 'On/Off' button. The indicator light will illuminate and the process will begin.

Programmed Brewing

- To set the appliance to start at a programmed time, refer to "Set Programme Time" section C.
- Turn the 'Cup Quantity' knob to set the number of cups you want to brew, this will grind enough coffee beans to suit your requirement.
- Press the 'Strength Control' button to set the strength (MILD, MED, or STRONG) this will show on the LCD display.
- Press the 'Grind Off' button if you are intending to use pre-ground coffee beans.
- The Grind & Brew Plus will begin brewing at the programmed time

Brewed Coffee

- When the brewing cycle has completed, 5 beeps will sound. Coffee will continue to stream from the filter for several seconds afterwards.
- When the coffee is ready, stir before serving, to blend the flavours. The coffee at the bottom of the carafe will be stronger than that at the top.
- The brew-through, pour-through lid allows coffee to drip from the appliance through the closed lid. When brewing is complete, the lid seals itself so air stays out and coffee freshness and temperature are maintained. No need to turn or adjust the lid before pouring.
- After brewing, the appliance will automatically shut off. The thermal carafe will keep the coffee hot for hours.
- The 'Automatic Brew Pause' feature allows you to remove the carafe during mid-brew. The brewing process does not stop during this period, only the flow of coffee from the basket to the carafe stops.

N.B. Whilst we offer this feature for your convenience, we do not recommend that you pour coffee before the cycle has reached completion, since the coffee brewed at the beginning of the cycle has a very different flavour profile to that made at the end of the cycle. Removing a cup during the cycle will alter the flavour of the finished pot.

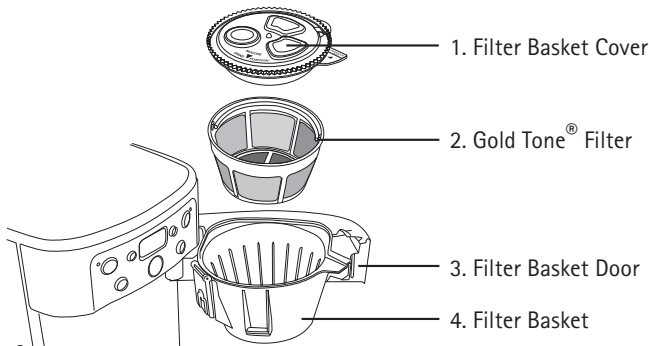
CAUTION: The bottom of the thermal carafe is hot to touch for several minutes after brewing.

WARNING! Do not remove the carafe for longer than 20 seconds or the coffee may overflow the basket.

Cleaning & Maintenance

- Completely clean and dry all parts after every use.
- Always turn coffee maker off and remove the plug from the electrical outlet before cleaning.
- Do not use scouring agents or harsh cleaning agents on any part of the appliance.
- Never immerse the main housing unit in water or other liquid. To clean the base, simply wipe with a clean damp cloth and dry before storing.
- Wipe resting plate with a clean, damp cloth. Never use rough, abrasive materials or harsh cleaning agents to clean the resting plate.
- Do not dry the inside of the water reservoir with a cloth as lint may remain.

Cleaning the Coffee Filter



- After every use, ensure the appliance has cooled down, open filter basket door by pressing filter basket door release button. Remove filter basket cover, filter basket and Gold Tone® filter. Discard ground coffee.
- The Gold Tone® filter, filter basket and filter basket cover can be washed in warm soapy water and rinsed thoroughly, or cleaned in the upper rack of the dishwasher. Dry all parts thoroughly after every use.
- Once clean, replace all the parts.
- Ensure the Gold Tone® filter is positioned with the handle facing away from main body of the appliance.

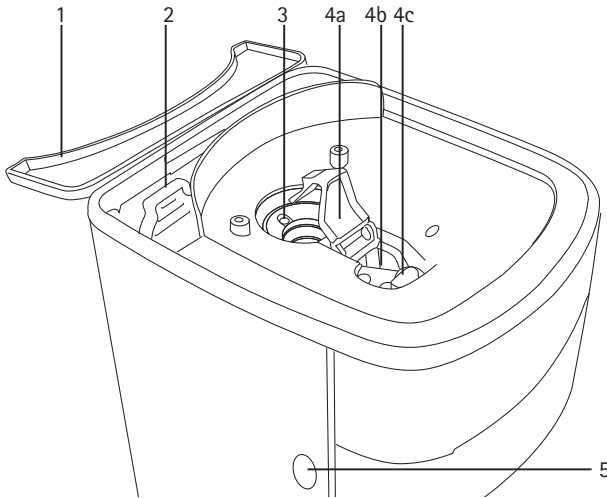
N.B. If the handle is not facing away, it may interfere with the flow of ground coffee into the filter basket. Place the filter basket cover in place, ensuring that the "GRIND" arrow is matching the "LIFT" arrow and then close the filter compartment door.

N.B. If the filter basket cover is not in place or the filter door is not shut properly, a safety interlock system will prevent operation. If you try to turn the unit on when parts are not in place, the appliance will beep continuously until the missing parts are installed and the filter door is closed. (The door will click when closed properly)

Cleaning the Carafe

- Remove the carafe from the resting plate. Discard any remaining coffee. The carafe and lid can be washed in warm soapy water and rinsed thoroughly, or placed in a dishwasher, on the upper rack only.
- Coffee contains oils that can build up on the carafe. For best performance, wash carafe and wipe pour spout after each use.

Cleaning the Bean Hopper



1. Water Reservoir Cover
2. Water Filter Holder
3. Burr Grinder
4. Coffee Channel Assembly
 - a. Channel Cover (must be in place before grinding)
 - b. Coffee Chute
 - c. Grind Chute Lever
5. Filter basket door release button

- We strongly suggest cleaning the hopper and coffee chute once a week depending on frequency of use.
- To clean the hopper, remove hopper container and lid by turning the hopper container release knob to the unlocked position. Discard any left over coffee beans.
- The hopper container and hopper container lid can be washed in warm soapy water and rinsed thoroughly, or cleaned in the upper rack of the dishwasher. Dry all parts after every use.

IMPORTANT: Do not put any water in the unit once the hopper container has been removed as this may cause damage to the appliance.

- Wipe the area under the hopper container with a damp cloth.
- The coffee channel cover can be flipped back for easy cleaning of the coffee chute. Push the coffee channel cover tab away from you and lift up. Use a small brush to remove any ground coffee that remains. Brush grounds toward you (when facing the unit head-on) and pull the grind chute lever toward you to send grounds through the chute. Be sure the filter basket is in place to catch the grounds.

NOTE: Failing to properly clean the coffee chute may lead to grind accumulations which can result in weak-tasting coffee and failure to grind coffee beans.

- Ensure the channel cover is in place after cleaning. Failure to do so will prevent the machine from operating.

Descaling

- Always use the charcoal water filters provided and replace on a regular basis (i.e. every 90 days or 90 uses)
- It is strongly recommended that you descale the appliance from time to time. The frequency depends upon the hardness of your tap water and how often you use the appliance.
- Fill the water reservoir completely with a mixture of 1/3 white vinegar and 2/3 water and switch the appliance on. One cycle should be sufficient to de-scale the appliance.
- Press the 'Grind Off' button, and turn the coffeemaker on by pressing the 'On/Off' button.
- Once the cycle has been completed and 5 beeps sound, switch the appliance off. Repeat the cycle once more using cold tap water.

Troubleshooting

PROBLEM	CAUSE	SOLUTION
Continuous beeping	Bean Hopper not locked in place (when brewing with whole beans)	<ul style="list-style-type: none"> • Check to see if the Bean Hopper release knob is in the unlocked position • Place the Bean Hopper on the unit • Turn the knob to the locked position • Press On/Off twice to resume; if programming, reset
	Filter door not closed	<ul style="list-style-type: none"> • Check to be sure that all components of the filter compartment are in place • Close filter door (you will hear a click if the door is properly shut) • Press On/Off twice to resume; if programming, reset
	Filter basket not in place	<ul style="list-style-type: none"> • Open filter door by pressing the filter door release button • Hook filter basket with cover onto door • Close filter door (you will hear a click if the door is properly shut) • Press On/Off twice to resume; if programming, reset
	Filter basket cover not in place	<ul style="list-style-type: none"> • Open filter door by pressing the filter door release button • Put on cover, matching "grind" arrows • Hook filter basket with cover onto door • Close filter door (you will hear a click if the door is properly shut) • Press On/Off twice to resume; if programming, reset
	Filter Basket not emptied of used grinds	<ul style="list-style-type: none"> • Open filter door by pressing the filter door release button • Remove filter basket with cover • Discard used grounds • Replace filter basket with cover and close door • Press On/Off twice to resume; if programming, reset

Coffee is weaker than usual	Coffee chute is clogged	<ul style="list-style-type: none"> • Remove the Bean Hopper from the unit • Lift coffee channel cover • Clean out coffee chute • Replace channel cover and hopper • Your Grind & Brew Plus is now ready to brew again
	Not enough beans in hopper	<ul style="list-style-type: none"> • Be sure there are enough beans in your hopper for the amount of coffee you intend to brew
	Strength setting is incorrect	<ul style="list-style-type: none"> • Check your strength setting – displayed on the LCD screen • To change your strength settings press the 'Strength Control' button
Burr Grinder is failing to grind coffee beans and not working	Coffee Chute is clogged	<ul style="list-style-type: none"> • Remove the Bean Hopper from the unit • Lift coffee channel cover • Clean out coffee chute • Replace channel cover and hopper • Your Grind & Brew Plus is now ready to brew

UK Guarantee

This Cuisinart appliance is guaranteed for consumer use for 3 years. This guarantee covers defects under normal use from date of purchase and ceases to be valid in the event of alteration or repairs by unauthorised persons. If the appliance does not perform satisfactorily due to defects in materials or manufacture, it will be repaired or replaced through Conair UK After Sales Service. No responsibility will be accepted for any damage caused in transit. The Conair Group Ltd reserves the right to amend terms and specifications without prior notice.

This guarantee in no way affects your statutory rights.

UK After Sales Service

For further advice on using the appliance or should you need to return your product, please contact the Conair Customer Care Line on 03702 406902 (09:00 to 17:00 Monday to Friday) or email your enquiry to support@cuisinart.co.uk

The return address is:
Customer Care Centre
Conair Logistics
Unit 4 Revolution Park
Buckshaw Avenue
Buckshaw Village
Chorley
PR7 7DW

Please enclose your returns number, name and address details, together with a copy of proof of purchase and details of the fault.

UK Wiring Instructions


The wires in the mains lead are coloured in accordance with the following code:

- BLUE = NEUTRAL
- BROWN = LIVE
- YELLOW & GREEN = EARTH

As the colours of the wire in the mains lead of this appliance may not correspond with the colour marking identifying the terminals on your plug, proceed as follows:


The wire which is coloured BLUE must be connected to the terminal which is marked with the letter N

The wire which is coloured BROWN must be connected to the terminal which is marked with the letter L

The wire which is coloured YELLOW & GREEN must be connected to the terminal which is marked with the letter E or the  symbol

This appliance is supplied fitted with a BS1363 mains plug and a BS1362 13A fuse. If this plug is removed from the appliance please ensure it is disposed of safely as a disconnected plug is dangerous if reconnected to the mains. If any other type of plug is used, a 13A fuse must be fitted.



The symbol  on the product or on its packaging indicates that this product may not be treated as household waste. Instead it should be handed over to an appropriate collection point for the recycling of electrical and electronic equipment.

By ensuring this product is disposed of correctly, you will help prevent potential negative consequences for the environment and human health, which could otherwise be caused by inappropriate waste handling of this product. Make sure that batteries are removed from this appliance before it is disposed of. When the batteries have run down, they must be disposed of safely. Please take them to a recycling centre. If the batteries leak, do not touch them and take them to a recycling centre. For more detailed information about the recycling of this product, please contact your local council office or your household waste disposal service.

www.cuisinart.co.uk