



2 IN 1 GRILL & SANDWICH MAKER  
GRSM2U

**Cuisinart®**

## Important Safeguards

When using electrical appliances, basic safety precautions should always be followed, including the following:

1. The appliance is not intended to be operated by means of external timer or separate remote-control system.
2. This appliance is not intended for use by persons with reduced physical, sensory or mental capabilities, or lack of experience and knowledge, unless they have been given supervision or instruction concerning use of the appliance by a person responsible for their safety.
3. Children should always be supervised to ensure that they do not play with this product.
4. Not for use by children. Keep out of reach of children during and after use.
5. Once you have finished cooking, turn the selector control to the 'OFF' position, unplug the power cord from the mains and allow the appliance to cool for at least 30 minutes before handling. The sandwich plates can be washed by hand or in the dishwasher. Do not use metallic objects such as knives when cleaning. This will damage the non stick coating. Use wooden or heatproof plastic utensils only. The housing base, cover and control knob can be wiped clean with a soft, dry cloth. For tough stains dampen cloth. Never use an abrasive cleaner or harsh pad.
6. The temperature of all surfaces marked with this symbol will be very hot when the appliance is in use. **DO NOT TOUCH** these surfaces as possible injury could occur. Allow to cool completely before handling this appliance.
7. The outer surface may get hot when the appliance is in use.
8. Always inspect the appliance before use for noticeable signs of damage. Do not use if damaged, or if the appliance has been dropped. Do not use this appliance if the lead is damaged. In the event of damage, or if the appliance develops a fault, contact the Cuisinart Customer Care Line (refer to "UK After Sales Service section" for further information).



Congratulations on your purchase of the Cuisinart 2 In 1 Grill and Sandwich Maker.

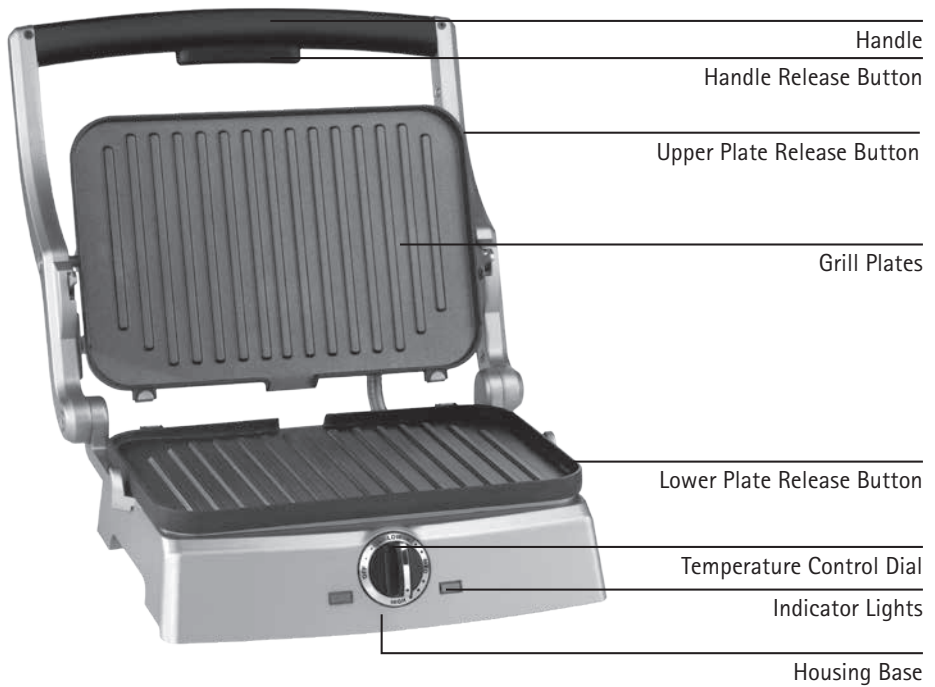
For over 30 years Cuisinart's aim has been to produce the very finest kitchen equipment. All Cuisinart products are engineered for exceptionally long life, and designed to be easy to use as well as to give excellent performance day after day.

To learn more about our products and for recipe ideas visit our website [www.cuisinart.co.uk](http://www.cuisinart.co.uk)

# Contents

Product Description .....	5
Safety Cautions & Wiring Instructions .....	6
Selecting The Plates .....	9
Fitting and Removing the Plates.....	10
Fitting and Removing the Integrated Drip Tray .....	11
Using the 2 in 1 Grill & Sandwich Maker.....	12
Cooking with the Grill Plates .....	13
Cooking with the Sandwich Plates .....	14
Cleaning & Maintenance .....	15
UK Guarantee.....	16
UK After Sales Service .....	17

# Product Description



Includes scraping tool (image not shown)

# Safety Cautions

**Carefully read all the instructions before using the appliance and keep in a safe place for future reference**

Always follow these safety cautions when using this appliance to avoid personal injury or damage to the appliance. This appliance should be used only as described within this instruction book.

- Ensure all packaging materials and any promotional labels or stickers are removed from the sandwich maker before first use.
- Always inspect the appliance before use for noticeable signs of damage. Do not use if damaged, or if the appliance has been dropped. In the event of damage, or if the appliance develops a fault, contact the Cuisinart Customer Care Line (refer to 'UK After Sales Service' section for further information).
- Do not use this appliance if the lead is damaged. In the event of lead damage discontinue use immediately. If the lead is damaged it must be replaced with a special lead available from the manufacturer or its service agent. (See 'UK After Sales Service').
- Whilst in use the surfaces will become extremely hot. Do not touch hot surfaces. Always use handles.
- Unplug from the mains when not in use and before cleaning. Allow to cool before cleaning the appliance. To disconnect, turn the control to 'OFF' setting, and then remove the plug from the mains.
- This appliance is not intended for use by persons with reduced physical, sensory or mental capabilities, or lack of experience and knowledge, unless they have been given supervision or instruction concerning use of the appliance by a person responsible for their safety.
- Children should always be supervised to ensure that they do not play with this product.
- Not for use by children. Keep out of reach of children during and after use.
- Do not use any accessories or attachments with this appliance other than those recommended by Cuisinart.
- To protect against fire, electric shock or personal injury, do not immerse cord, plug or unit in water or other liquids.
- Do not leave the lead hanging over the edge of a kitchen table or worktop. Avoid contact between the lead and hot surfaces.

- For indoor, domestic use only.
- This appliance should be used only for preparation of food as described within the instructions for use that accompany it. Please retain these instructions for further use.
- Always ensure that your hands are dry before removing the plug from the mains socket. Never pull the plug out of the mains socket by its lead.
- To avoid injury or possible fire, do not cover the appliance when in use.
- If this appliance is used for re-heating foods, also ensure the food is piping hot before eating.
- Allow to cool before putting on or taking off parts, and before cleaning appliance.
- Do not connect this appliance to an external timer or remote control system.
- This appliance complies with the basic requirements of Directives 04/108/EC (Electromagnetic Compatibility) and 06/95/EC (Safety of domestic electrical appliances).




**WARNING:** Polythene bags over the product or packaging may be dangerous. To avoid danger of suffocation, keep away from babies and children. These bags are not toys.



The temperature of all surfaces marked with this symbol will be very hot when the appliance is in use.

**DO NOT TOUCH** these surfaces as possible injury could occur. Allow to cool completely before handling this appliance.



The symbol  on the product or on its packaging indicates that this product may not be treated as household waste. Instead it should be handed over to the applicable collection point for the recycling of electrical and electronic equipment.

By ensuring this product is disposed of correctly, you will help prevent potential negative consequences for the environment and human health, which could otherwise be caused by inappropriate waste handling of this product. For more detailed information about the recycling of this product, please contact your local council office or your household waste disposal service.

## UK Wiring Instructions

The wires in the mains lead are coloured in accordance with the following code:

- BLUE = NEUTRAL
- BROWN = LIVE
- YELLOW & GREEN = EARTH

As the colours of the wire in the mains lead of this appliance may not correspond with the colour marking identifying the terminals on your plug, proceed as follows:

The wire which is coloured BLUE must be connected to the terminal which is marked with the letter N

The wire which is coloured BROWN must be connected to the terminal which is marked with the letter L

The wire which is coloured YELLOW & GREEN must be connected to the terminal which is marked with the letter E or the  $\oplus$  symbol

This appliance is supplied fitted with a BS1363 mains plug and a BS1362 13A fuse. If this plug is removed from the appliance please ensure it is disposed of safely as a disconnected plug is dangerous if reconnected to the mains. If any other type of plug is used, a 13A fuse must be fitted.



Whether you are cooking a complete meal or a light snack, the Cuisinart 2 in 1 Grill & Sandwich Maker is the perfect machine. With two sets of interchangeable plates, a floating hinge that adjusts to any thickness of food and a choice of variable temperature settings, you can achieve perfect cooking results every time.

## **Before First Use**

Before using your 2 in 1 Grill & Sandwich Maker for the first time, ensure all packaging is removed and clean the grill and sandwich plates (see Cleaning & Maintenance section).

## **Selecting the Plates**

Before you begin, select which plates are best suited for the food you wish to cook.

### **Grill Plates**

The ribbed grill plates can be used open, as a contact grill or as a panini press. They are perfect for succulent burgers, seared steaks, café style paninis and delicious vegetables.

### **Sandwich Plates**

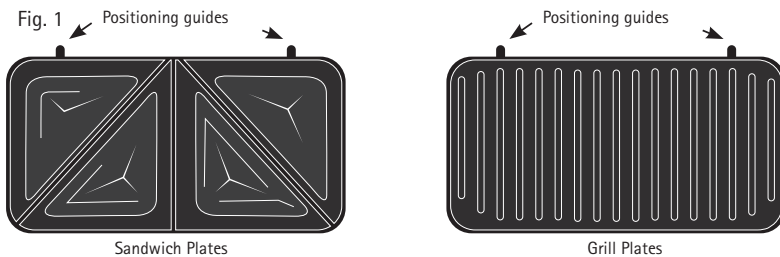
The extra large, deep pocketed plates enable you to create delicious deep filled sandwiches with perfectly sealed edges and no spills. When in sandwich mode, the locking handle ensures even browning every time.

In addition to sandwiches, the sandwich plates are also perfect for omelettes, calzones, quesadillas, fruit pastries, French toast and much more.

# Fitting & Removing The Plates

## Fitting the Plates

- Ensure the product is switched off and is fully cooled down.
- Select either the grill or sandwich plates.
- Position the unit so that the controls are facing towards you.
- Press the handle release button and lift the handle to fully open the product.
- Align the two cut outs at the back of the plate (see Fig. 1) with the brackets on the bottom of the housing base. Tilt the plate and slide it underneath the bracket.
- Push down the front end of the plate until it locks into place.
- Repeat with the second plate.



## Removing the Plates

- Ensure the product is switched off and is fully cooled down. Always allow the appliance to cool for at least 30 minutes before removing the plates.
- Locate the plate release buttons which can be found on the right side of the units upper and lower housing (see Fig. 2). Press the upper release button firmly, and the upper plate will pop up slightly from the base. Lift the plate up and slide out from under the brackets in the centre.
- Repeat by pressing the lower release button and releasing the lower plate.
- The plates can be hand washed or cleaned in the dishwasher after use.

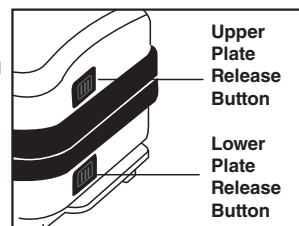


Fig. 2

## Fitting and Removing the Integrated Drip Tray

The 2 In 1 Grill & Sandwich Maker has a clever fat drainage system. Fat is drained via a small recess at the rear of the plates, allowing fat and grease to drip down into the integrated tray.

To insert the drip tray, insert it into the slot on the right side of the lower housing. (see Fig. 3). To remove the drip tray, simply slide the tray out of the slot. Grease should be disposed of safely after cooking. The drip tray can be washed in the dishwasher.

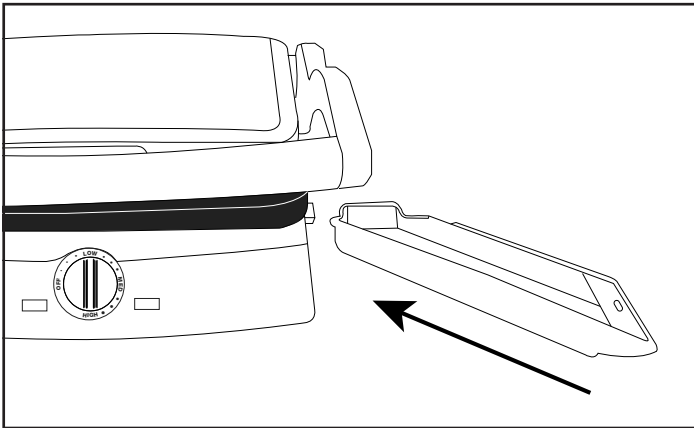


Fig. 3

## Using the 2 in 1 Grill & Sandwich Maker

Once you have fitted the plates and integrated drip tray you are ready to start using the 2 in 1 Grill & Sandwich Maker.

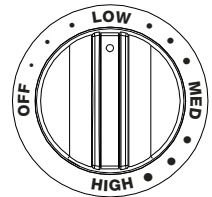
### Preheating the Appliance

For optimum results, always preheat the unit completely before using.

- Plug the unit into a suitable mains socket.
- Although the plates have a non-stick coating, we recommend that you prepare the plates with cooking spray or oil. If using oil, apply with a paper towel or pastry brush.
- Close the lid and turn the temperature control dial to the desired setting for cooking; Low, Medium or High.

**N.B.** Adjust the temperature according to the food. For example, when in grill mode use high heat for searing meats, but low heat on more delicate foods such as prawns, vegetables or fruits.

- When the dial is in place a red light will illuminate on the front of the appliance to indicate that the power is on, and the appliance is heating up.
- Once the appliance has reached the optimal temperature, the green light will illuminate to indicate the appliance is ready to cook.



### Using the handle

The handle is designed to lock when used in sandwich mode.

To open the grill/sandwich maker, grasp the handle, pressing in the handle release button as you lift the lid upwards.

To close the grill/sandwich maker, push the handle downwards.

## Cooking with the Grill Plates

- Preheat the appliance, until the green indicator illuminates.
- Place the food on the bottom plate and lower the lid.
- The floating hinge design means that the space between the upper and lower plate adjusts to the thickness of your food (see fig. 4).

**N.B.** You can apply light pressure using the handle to press whilst cooking to lock in flavour. When cooking more than one item at a time, try to ensure the thickness of the food is consistent to ensure even cooking for each piece of food.

- After placing your food on the grill, it may take a few seconds for the green light to switch off. This is normal.
- The green light runs on a thermostat and indicates when the product is up to temperature. As part of the cooking cycle the light will go on and off during this process. You will need to assess if the food is cooked by lifting the lid. The green light does not indicate when food is cooked.
- When you are happy the food is cooked, remove it with the scraping tool or a heat-proof plastic spatula.

**IMPORTANT:** Never use metal utensils, as they may damage the non-stick coating.

- Once you have finished cooking, turn the dial to the 'OFF' position and unplug the power cord from the mains. Allow the appliance to cool for at least 30 minutes before handling.

**N.B.** When using the appliance for the first time, there may be a slight odour and the unit may smoke a little. This is normal and common for appliances with a non-stick surface.

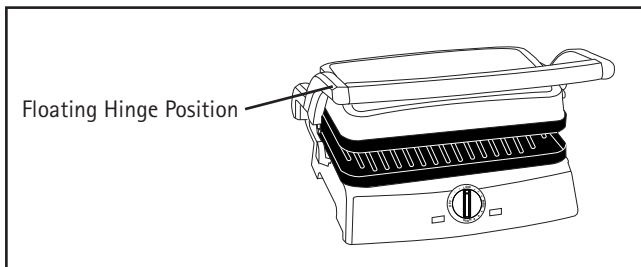


Fig. 4

## Cooking with the Sandwich Plates

- Preheat the appliance, until the green indicator illuminates.
- Place the food on the lower sandwich plate and close the handle. You will hear a click when it locks securely.

**N.B.** It is important to lock the plates in sandwich mode to ensure your sandwich seals properly.

- It may take a few seconds for the green light to switch off. This is normal.
- The green light runs on a thermostat and indicates when the product is up to temperature. As part of the cooking cycle the light will go on and off during this process. You will need to assess if the food is cooked by firmly pressing the release button and lifting the lid.
- When you are happy the food is cooked, remove it by gently loosening the edges with the scraping tool or a heat-proof plastic spatula.

**IMPORTANT:** Never use metal utensils, as they may damage the non-stick coating.

- Once you have finished cooking, turn the selector to the 'OFF' position and unplug the power cord from the mains. Allow the appliance to cool for at least 30 minutes before handling.

**N.B.** When using the appliance for the first time, there may be a slight odour and the unit may smoke a little. This is normal and common for appliances with a non-stick surface.

## Cleaning & Maintenance

- Before first use and after every use, clean each part thoroughly.
- Once you have finished cooking, turn the dial control to the 'OFF' position and unplug the power cord from the mains and allow the appliance to cool for at least 30 minutes before handling.
- When cold use the scraping tool to remove any leftover food from the cooking plates. The scraping tool can be washed by hand or in the dishwasher.
- Dispose of grease from the drip tray. The drip tray can be cleaned by hand or in the dishwasher.
- The cooking plates can be washed by hand or in the dishwasher. Do not use metallic objects such as knives when cleaning. This will damage the non-stick coating. Use wooden or heatproof plastic utensils only.
- If you have been cooking seafood, wipe the cooking plate with lemon juice to prevent seafood flavour transferring to the next recipe.
- The housing base, cover and control knobs can be wiped clean with a soft, dry cloth. For tough stains dampen cloth. Never use an abrasive cleaner or harsh pad.
- In between recipes, scrape excess food build up, then wipe off any residue with a paper towel before proceeding with the next recipe.
- Never leave plastic utensils in contact with the hot grill plate.
- Make sure all the parts are clean and dry before storing.
- Never wrap the cord around the outside of the unit.
- Never immerse the plug, lead or housing in water or any other liquid.

## UK Guarantee

This Cuisinart 2 in 1 Grill and Sandwich Maker has a 5 year guarantee for domestic use.

The guarantee covers defects under normal use from date of purchase and ceases to be valid in the event of alteration or repair by unauthorised persons. If the appliance does not perform satisfactorily due to defects of material or manufacture, it will be repaired or replaced by the manufacturer (see 'UK After Sales Service' for details). This guarantee is only valid in the United Kingdom and Eire (includes Channel Islands and Isle of Man). No responsibility will be accepted for any damage caused in transit. A charge may be made if goods are returned outside the relevant guarantee period or if the product is returned unnecessarily. The manufacturer reserves the right to amend terms and specifications without prior notice.

This guarantee in no way affects your statutory rights.



## UK After Sales Service

For further advice on using the appliance or should you need to return your product, please contact the Conair Customer Care Line on 03702 406 902 (09:00 to 17:00 Monday to Friday) or email your enquiry to [support@cuisinart.co.uk](mailto:support@cuisinart.co.uk)

The return address is:

Customer Care Centre  
Conair Logistics  
Unit 4 Revolution Park  
Buckshaw Avenue  
Buckshaw Village  
Chorley  
PR7 7DW

Please enclose your returns number, name and address details, together with a copy of proof of purchase and details of the fault.





[www.cuisinart.co.uk](http://www.cuisinart.co.uk)